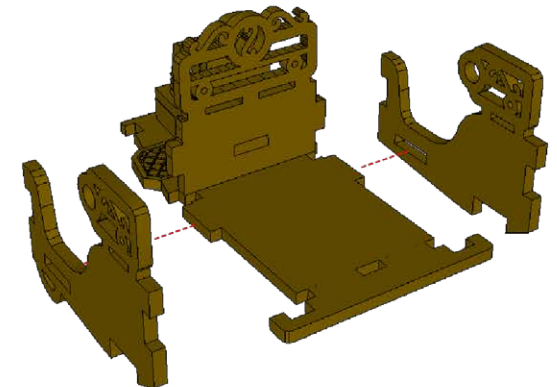
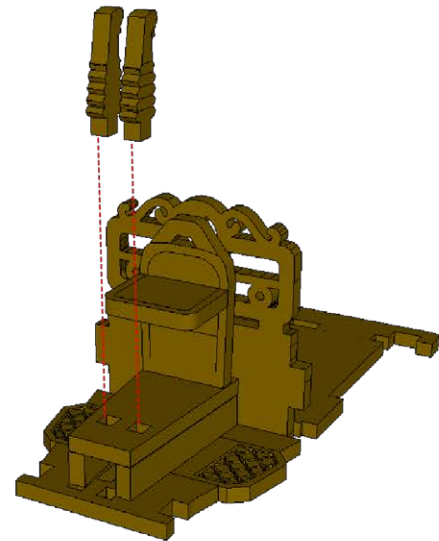
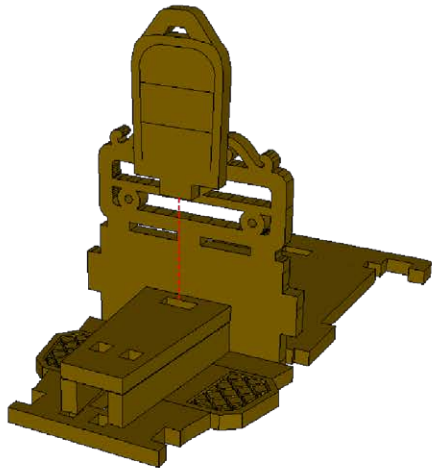
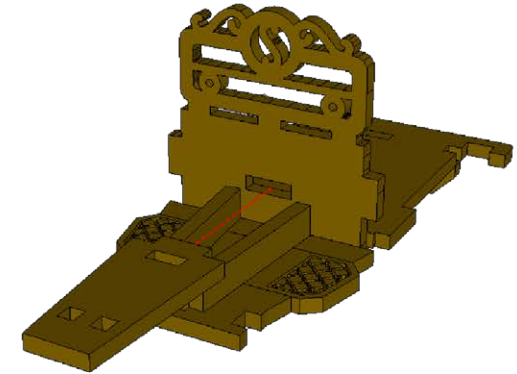
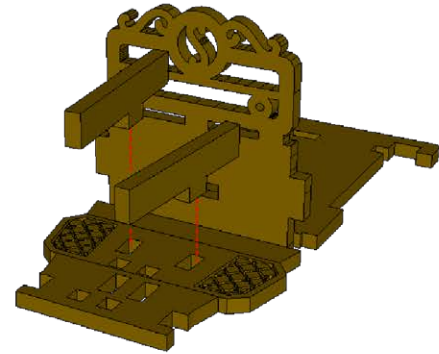
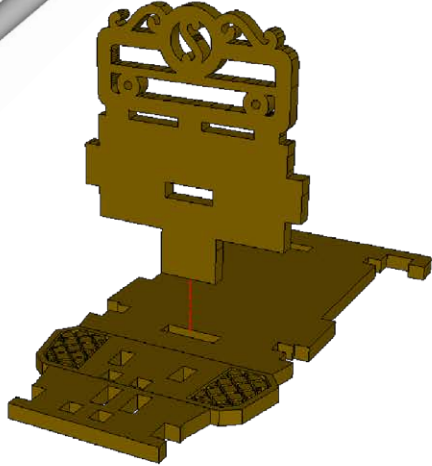
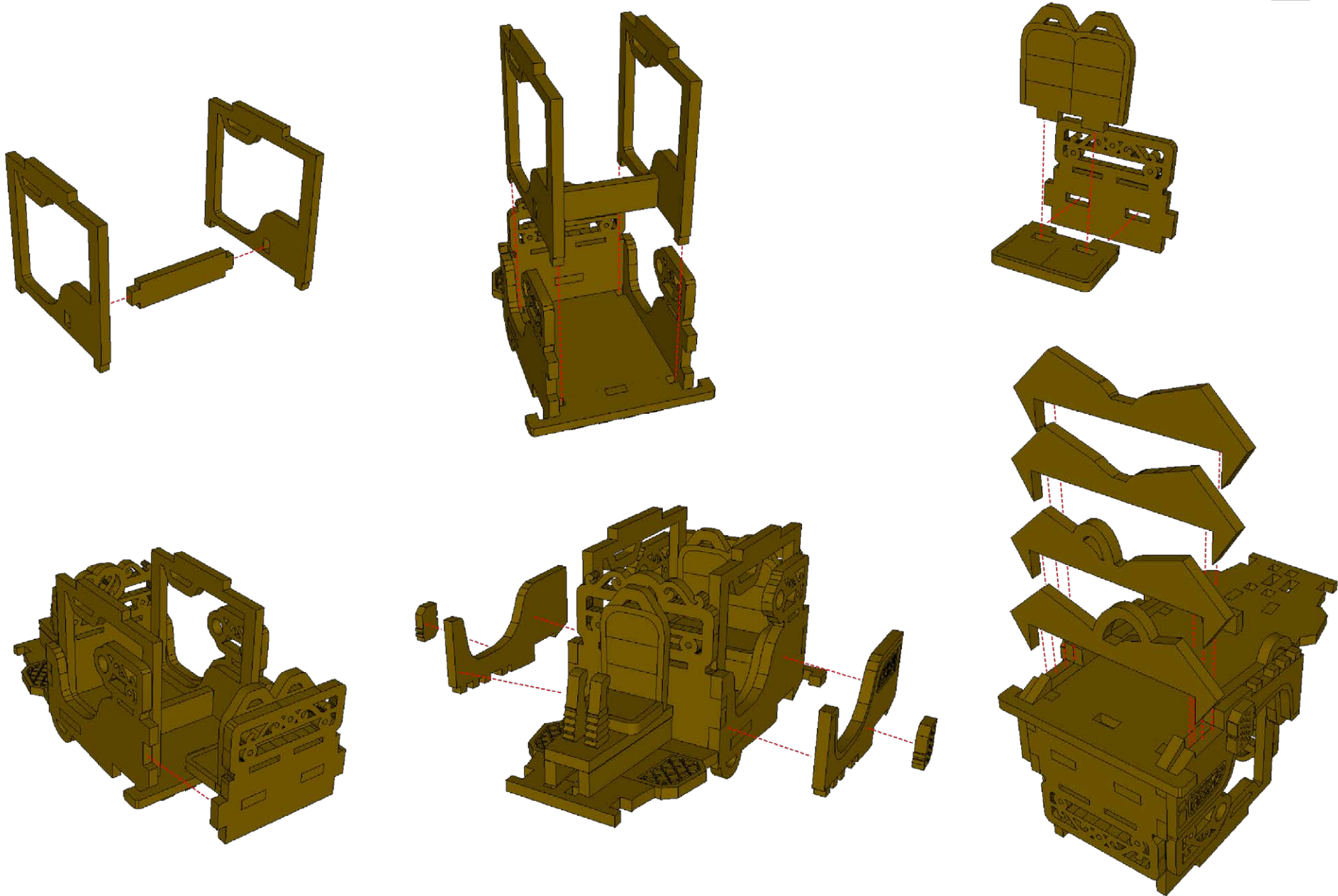
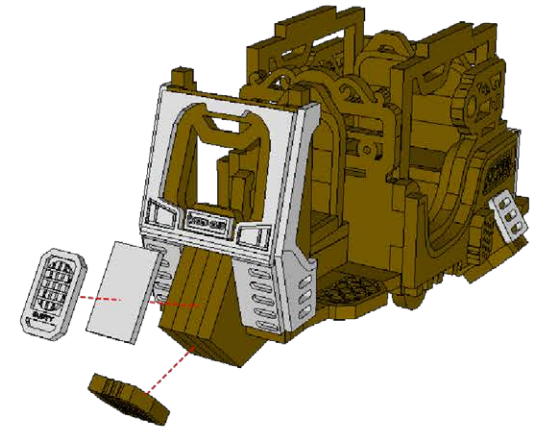
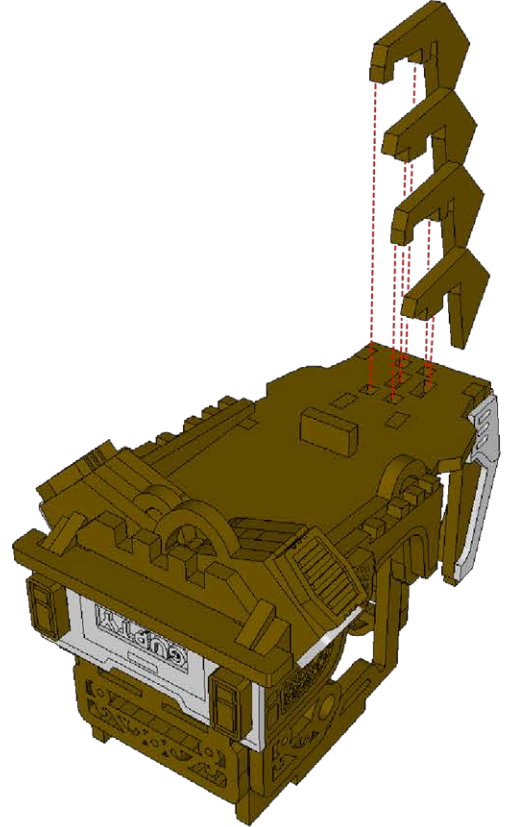
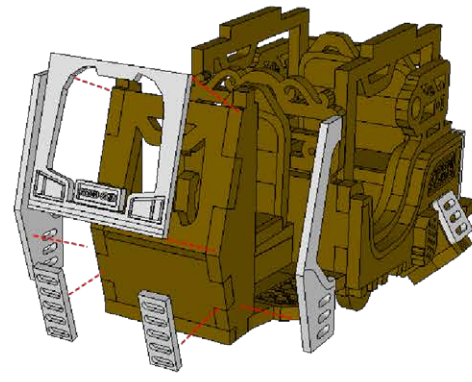
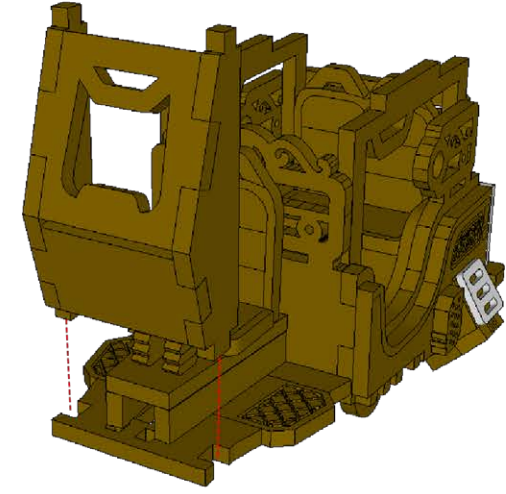
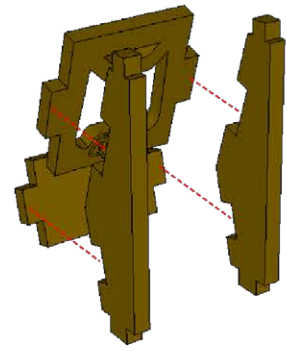
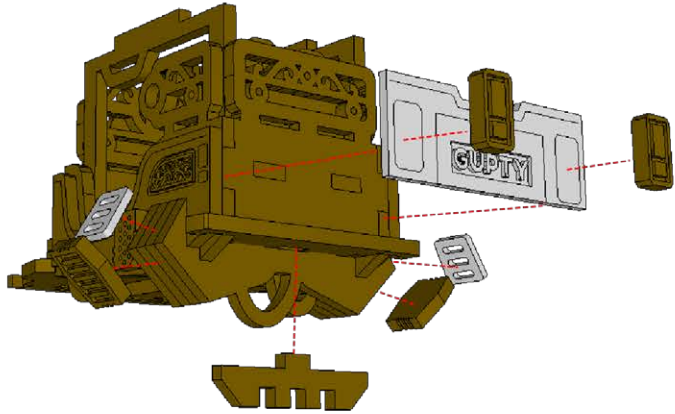


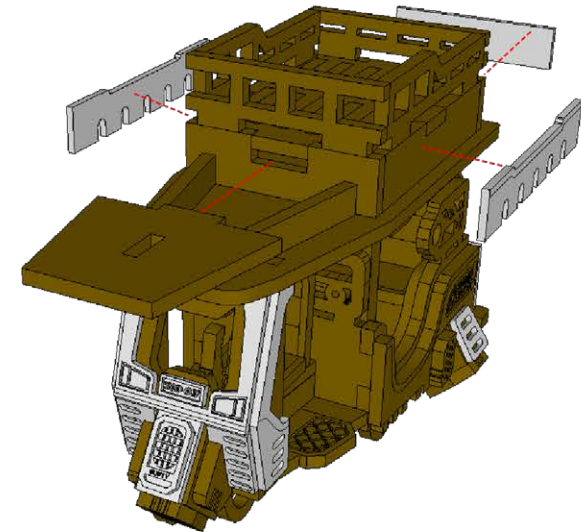
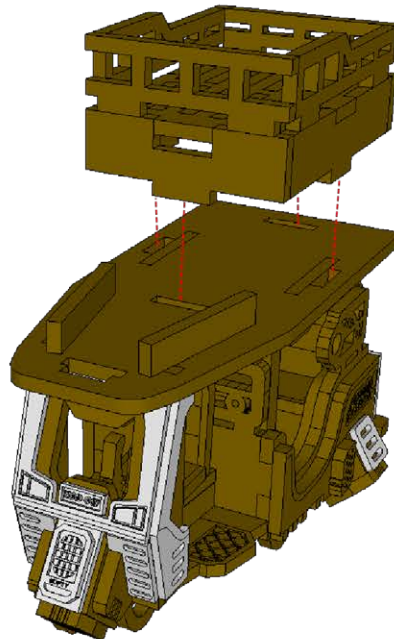
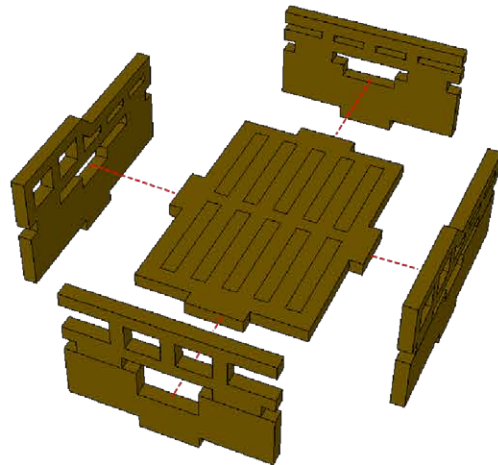
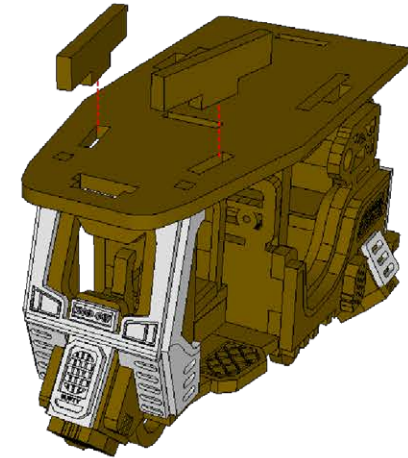
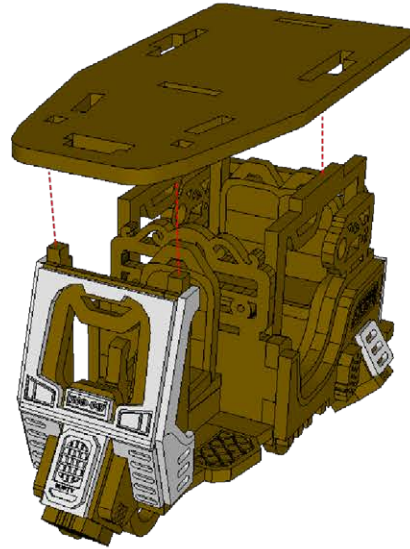
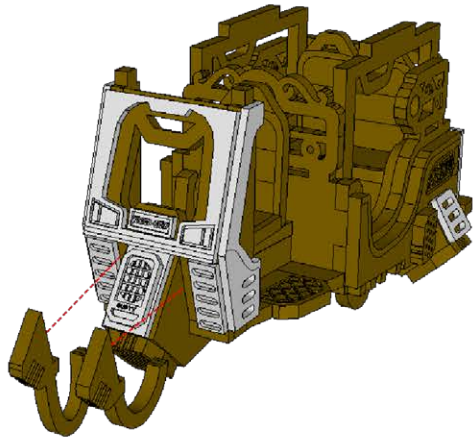
This kit includes card parts. These will need to be carefully trimmed out of the sheet. Use a sharp hobby knife to free the pieces from their cardboard prison!



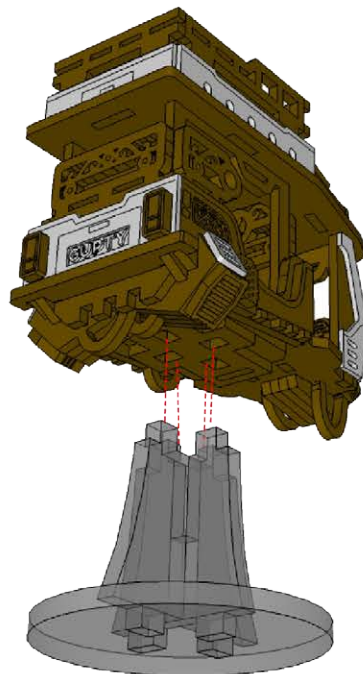
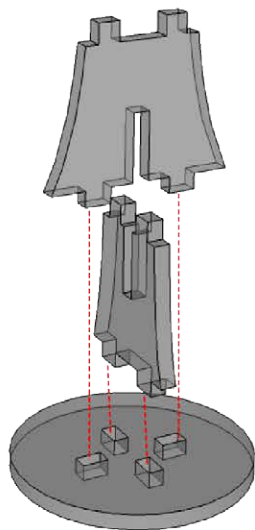
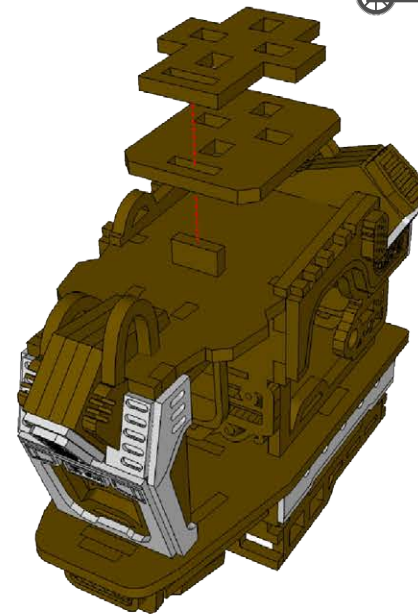
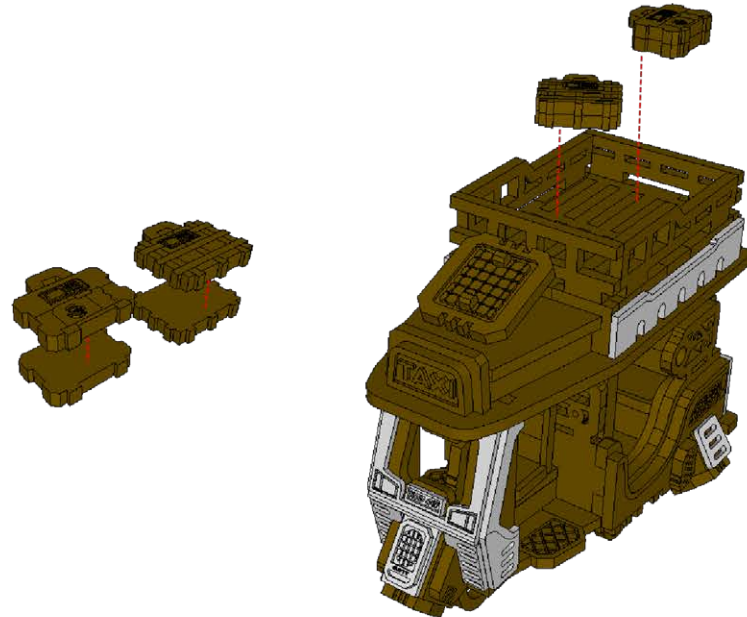
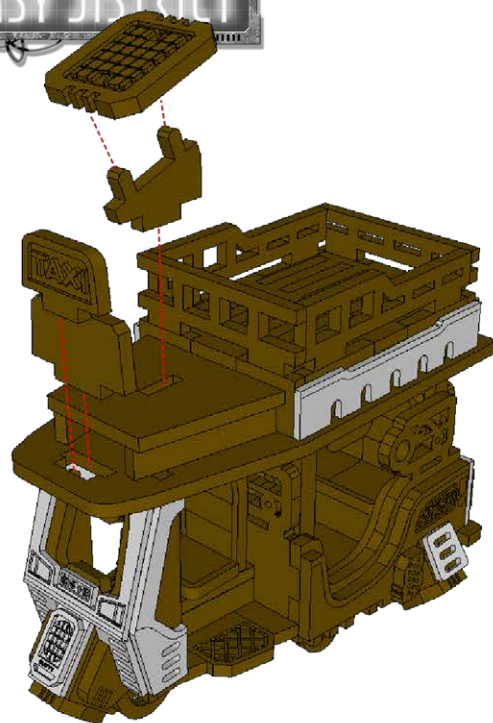








# GUPTY CORP HVT20-L TUK TUK INSTRUCTIONS



The kit comes with the "idling height" 1 inch flight stand. Alternate height complatible flight stand are available seperatly from the webstore

