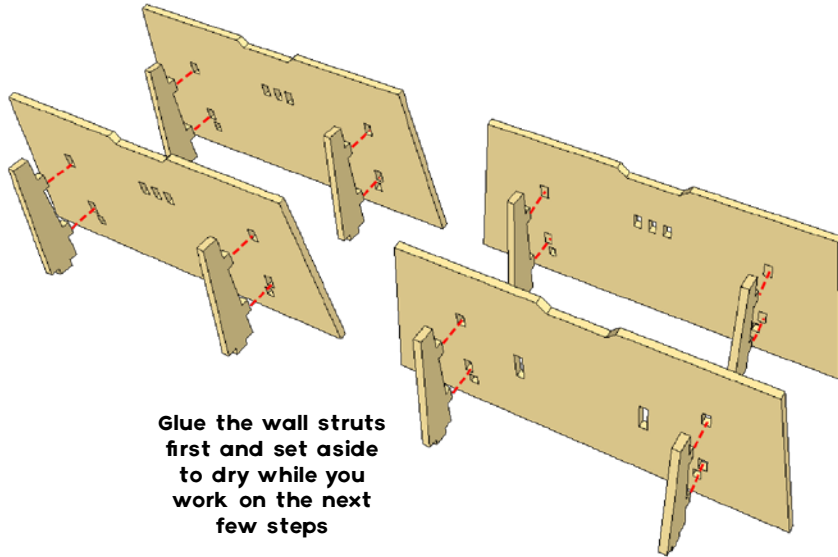
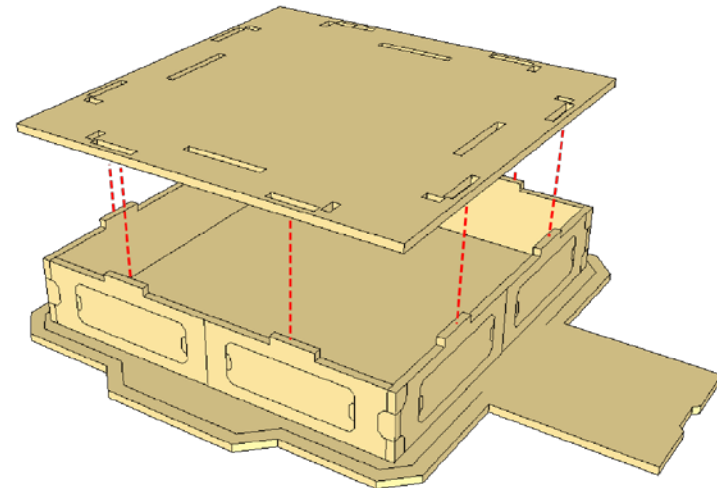
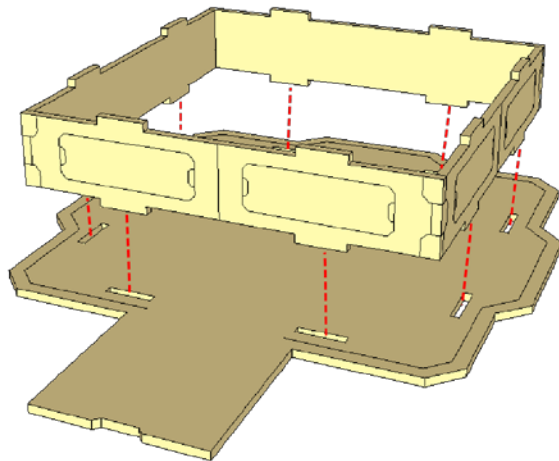
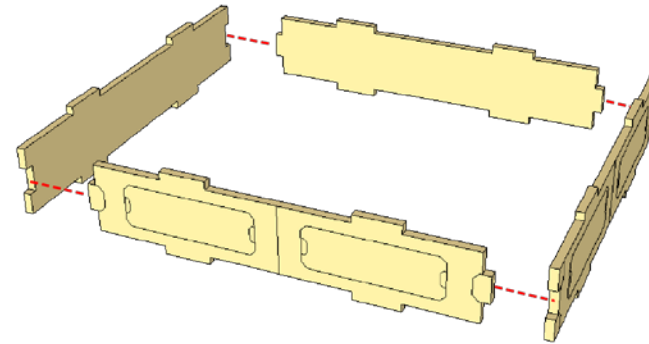


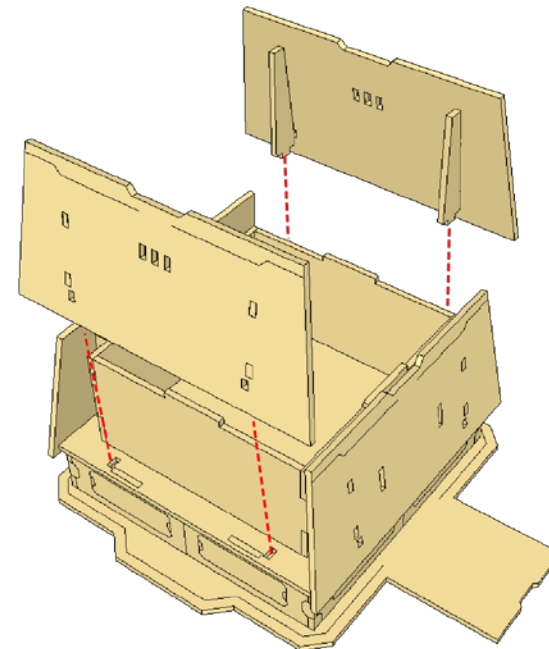
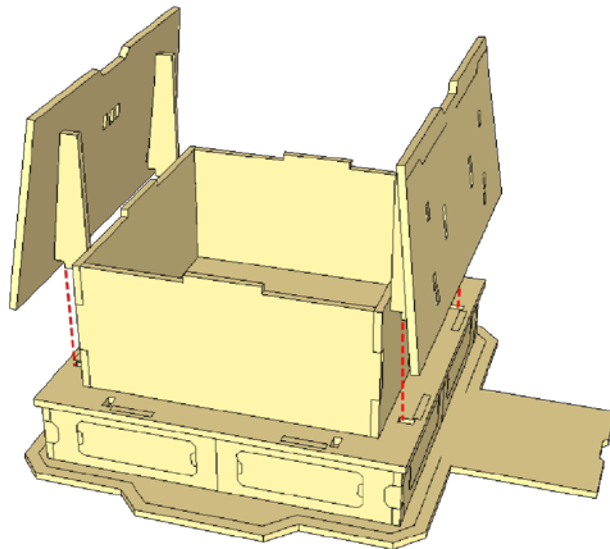
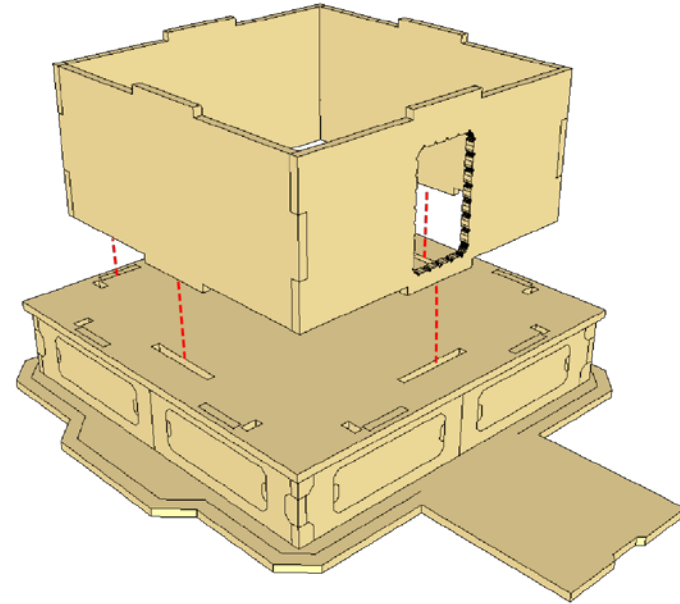
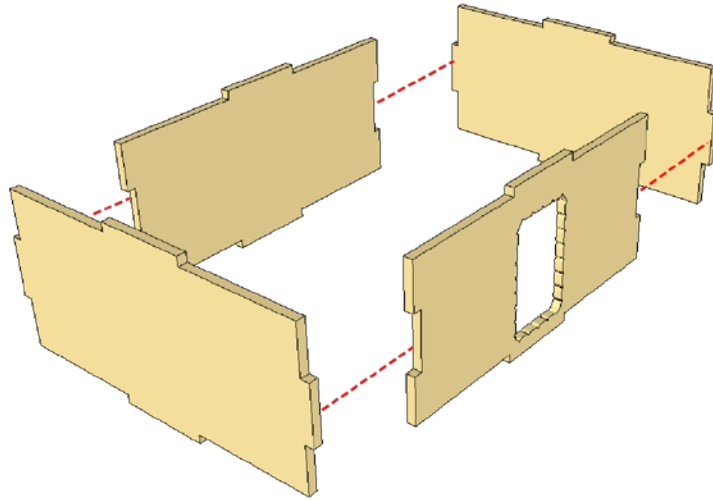
SITE OFFICE HQ UNIT TOWER INSTRUCTIONS



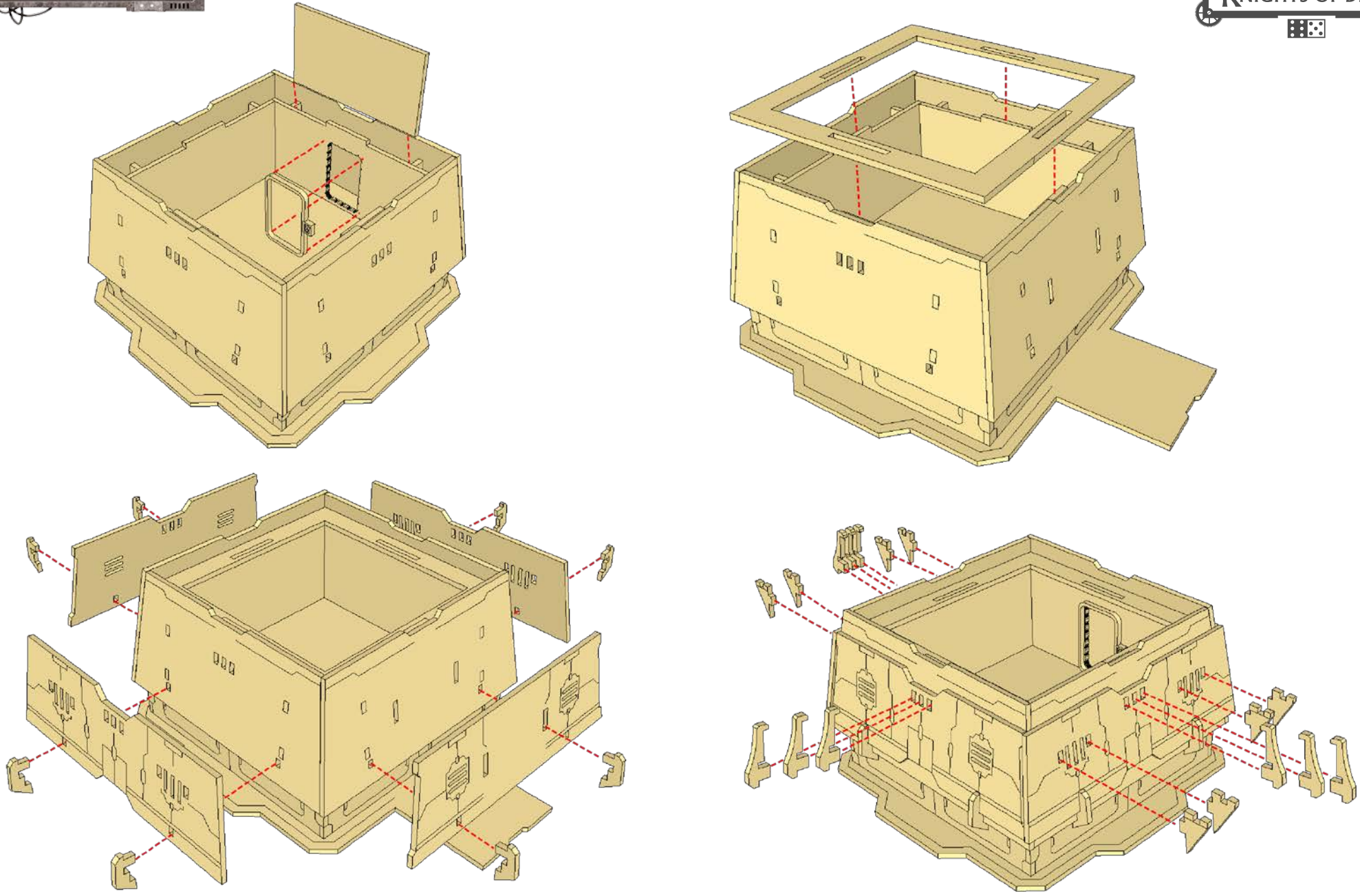
Glue the wall struts first and set aside to dry while you work on the next few steps



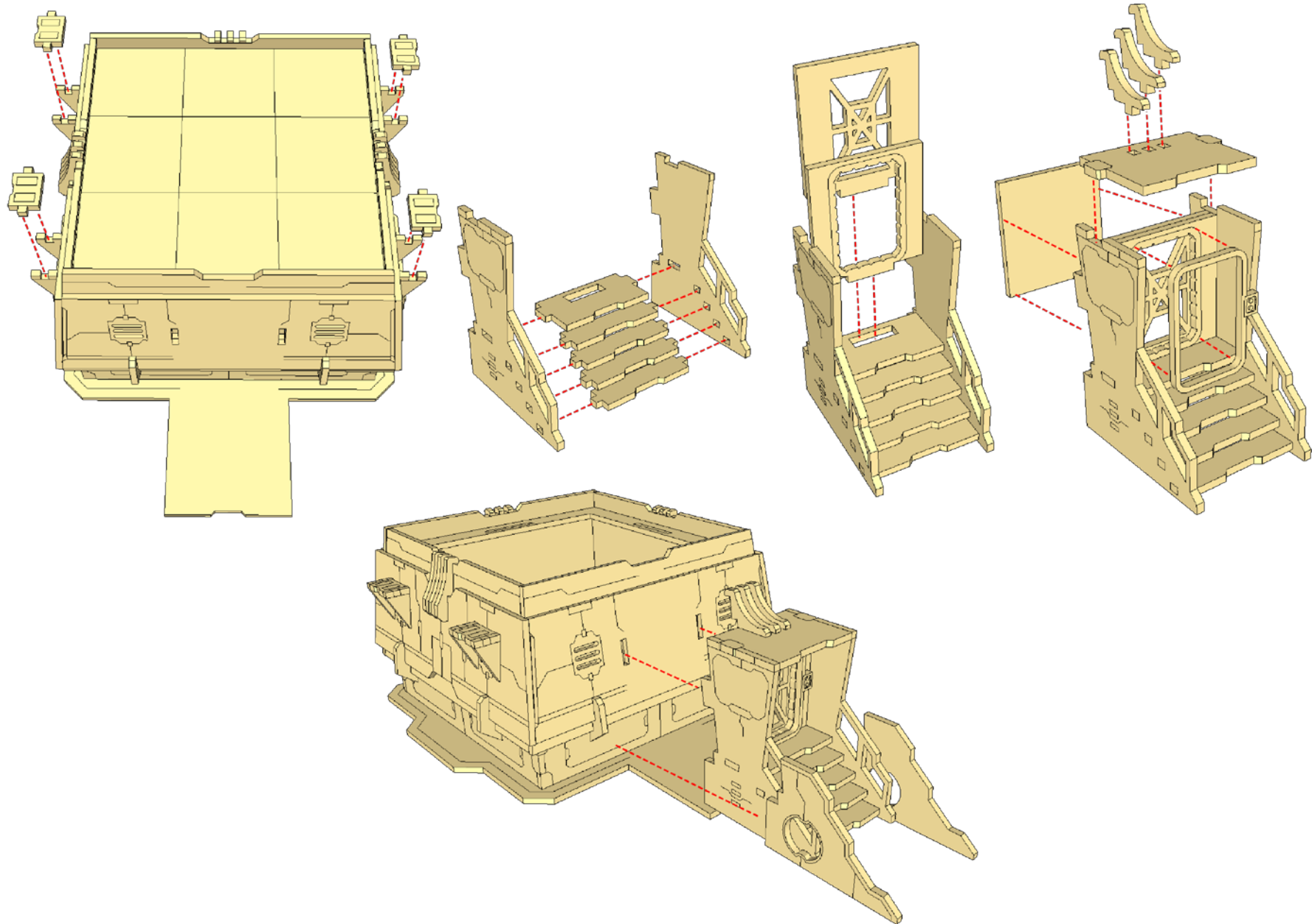
SITE OFFICE HQ UNIT TOWER INSTRUCTIONS



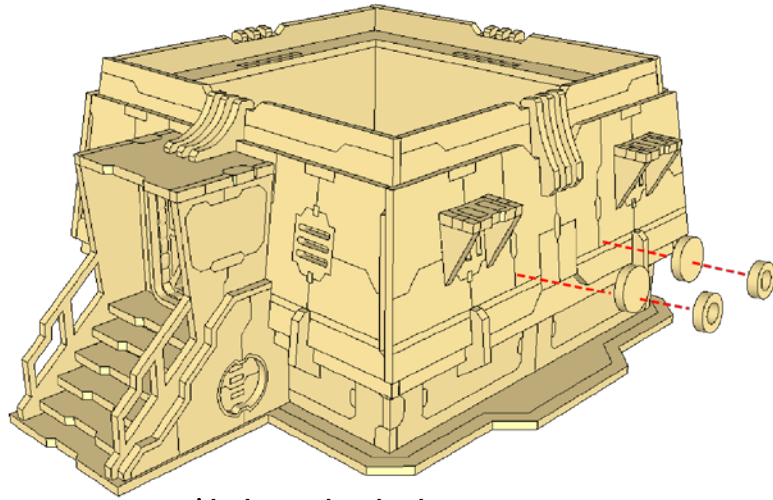
SITE OFFICE HQ UNIT TOWER INSTRUCTIONS



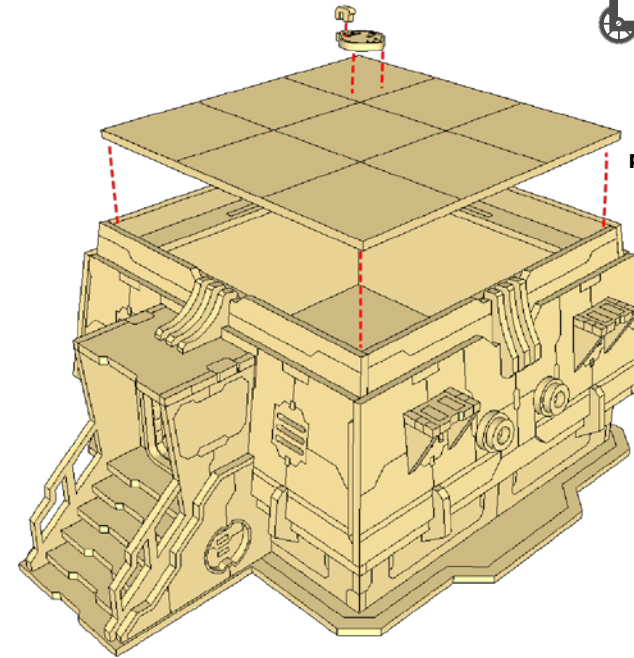
SITE OFFICE HQ UNIT TOWER INSTRUCTIONS



SITE OFFICE HQ UNIT TOWER INSTRUCTIONS



Widgets can be glued anywhere you like



Roofs and levels are designed to come apart for interior access

